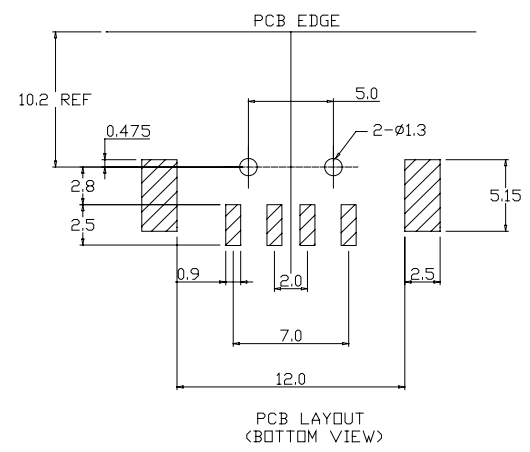
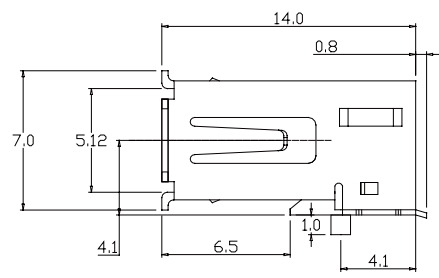
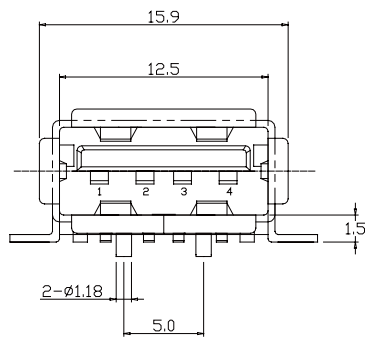


BY	CHK	REVISION RECORD MODIFICATIONS	DATE	REV.
ALLEN		RELEASE TO PRODUCTION	2007,9,10	1.0



PartNo.: USB-001FA-A1 -U
 B:Black W:White

No.	NAME	MATERIAL	FINISH	REMARK	Q'TY
1	HOUSING	P.B.T. G.F.	WHITE/BLACK		1
2	PIN TERM.	COPPER ALLOY T:0.25mm	GOLD/TIN PLATED	Ni:1~1.5uTiN:3u. GOL:30	4
3	SHELL	BRASS T:0.3	NICKEL PLATED	Ni:2~3	1
4	SHELL	SPCC T:0.3	NICKEL PLATED	Ni:2~3	1
5	BOTTOM COVER	P.B.T. G.F.	WHITE		1

APPRO	CHECK	DRAWN	PART NO.	Part No.:USB-001FA-A1-U			DESCRIPTION	
			ITEM NO.					
			DRAW NO.					
			UNIT	mm	SCALE	no		
			TOLER		NO.		Tel:0769 22020068 Fax: 0769 22020069 E-mail: sales@vigortec.com	